
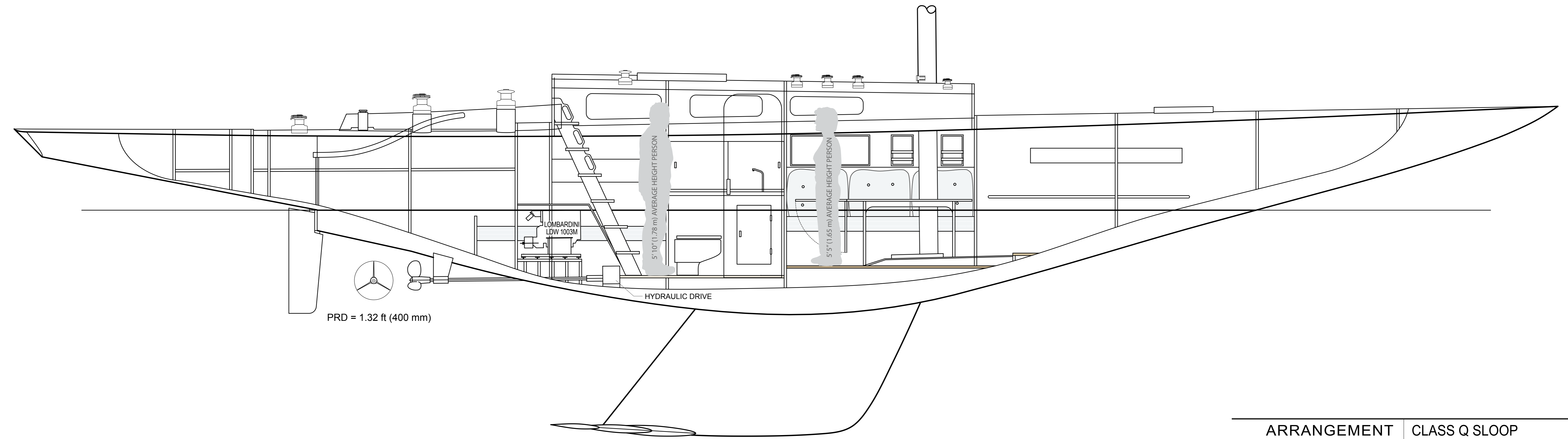
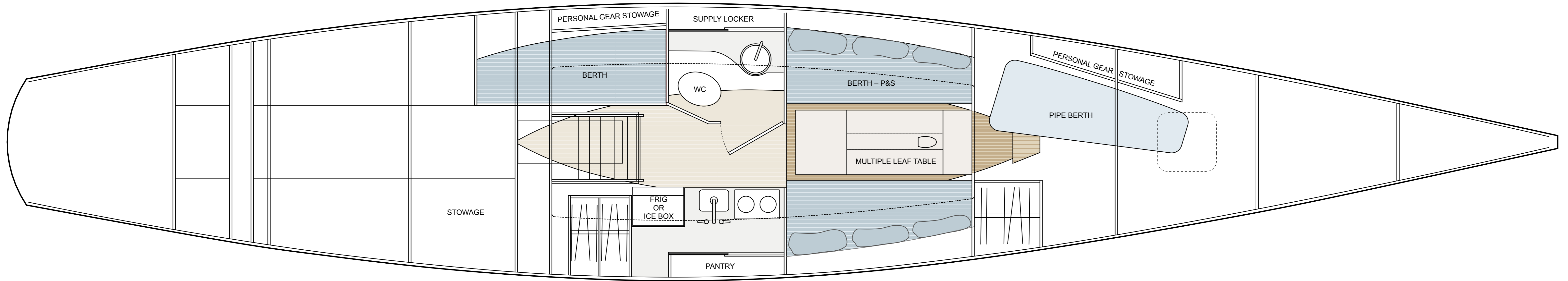
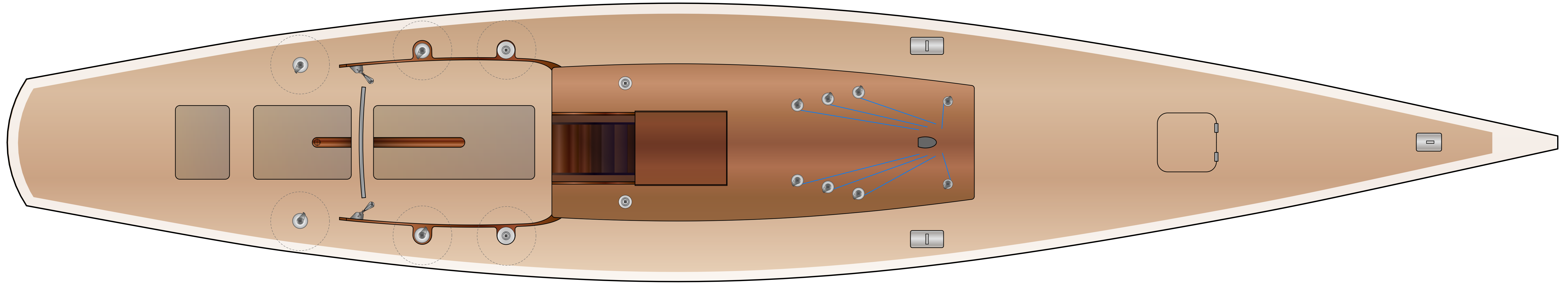
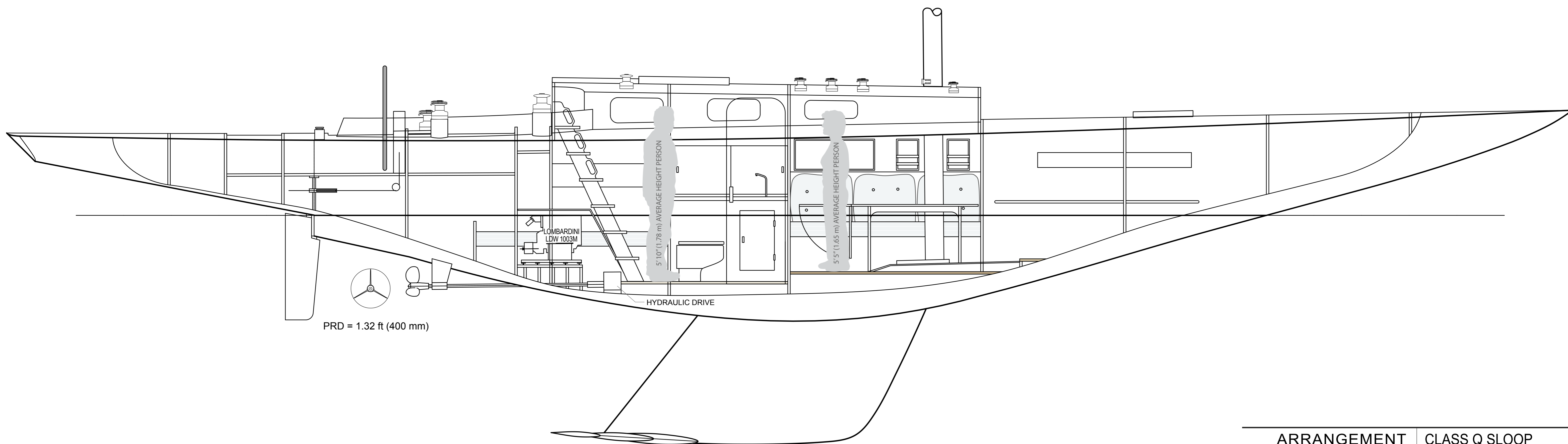
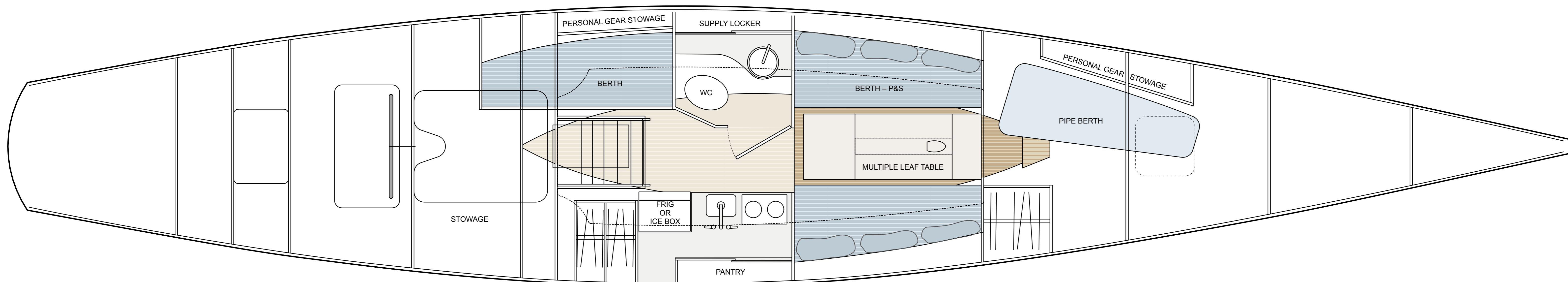
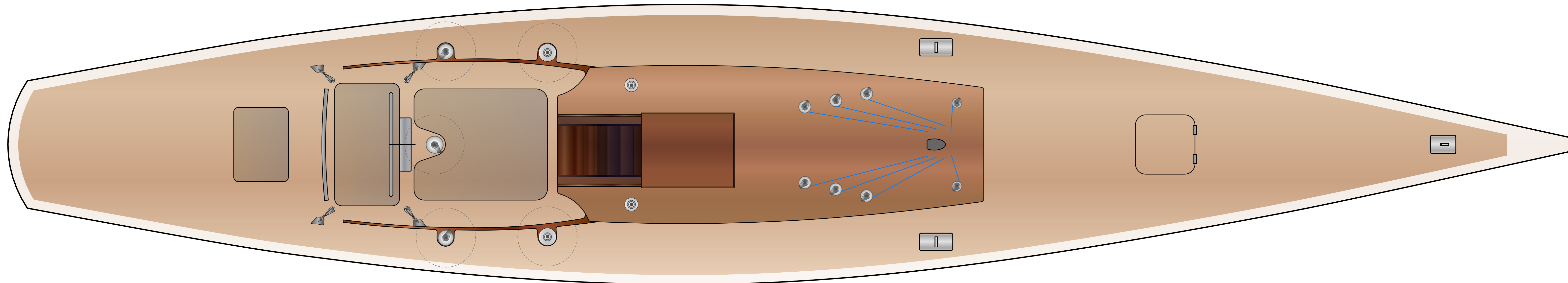
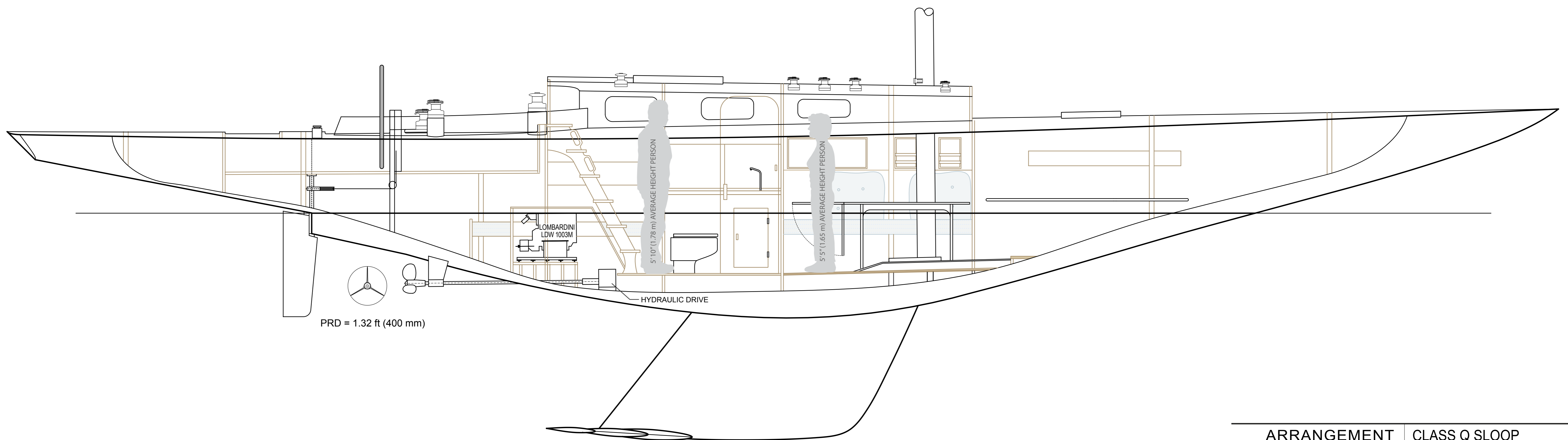
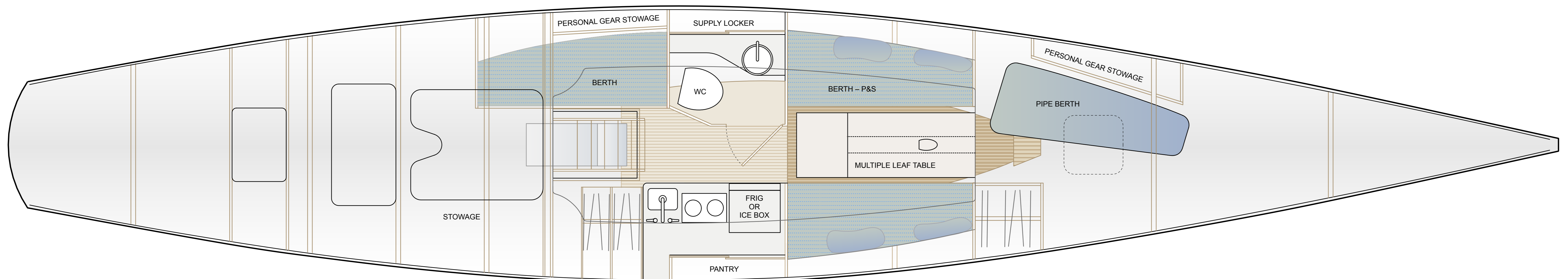
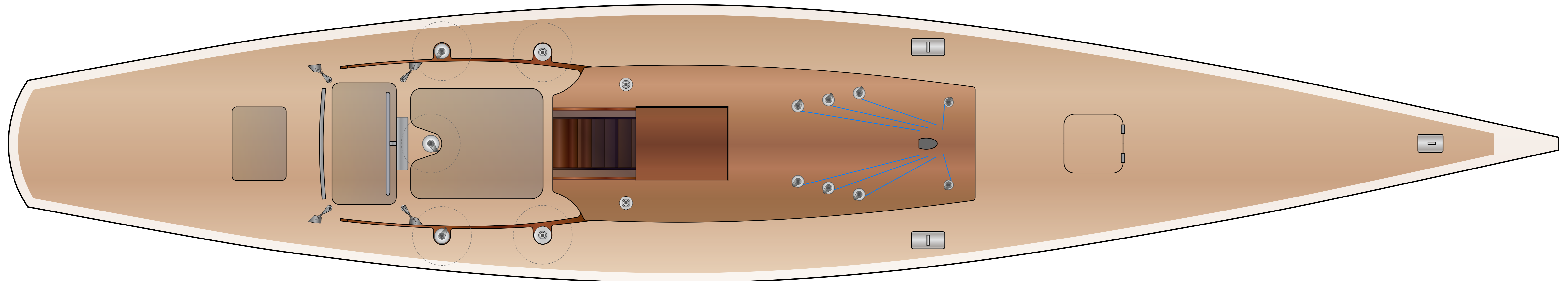


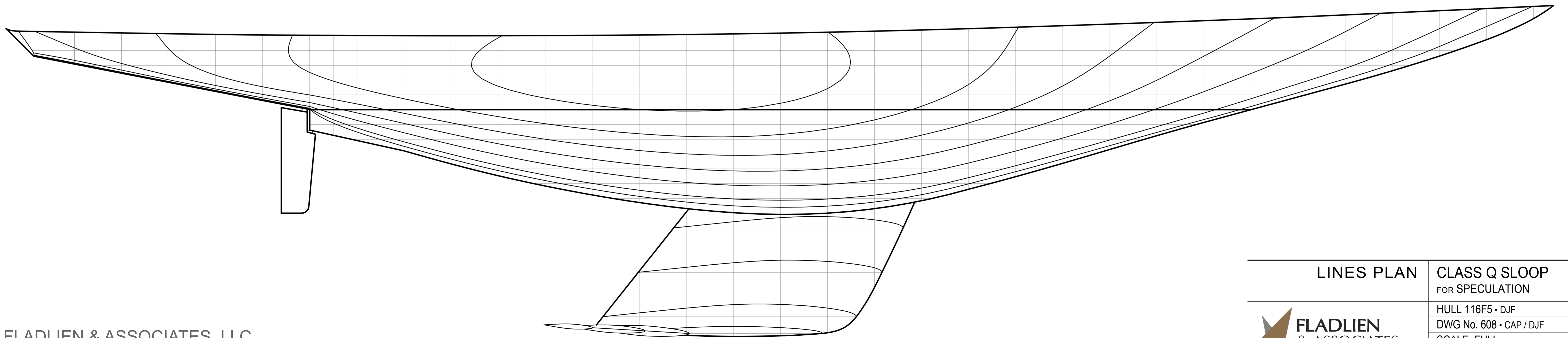
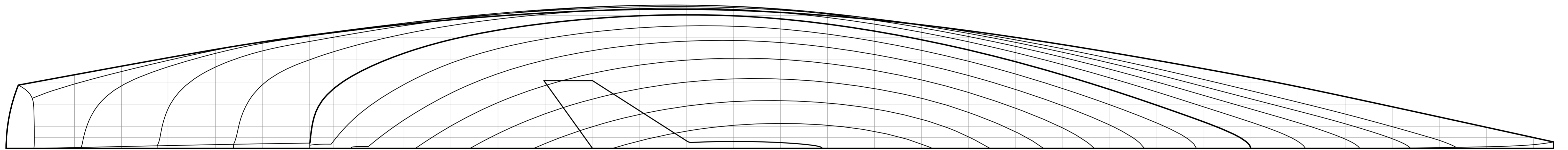
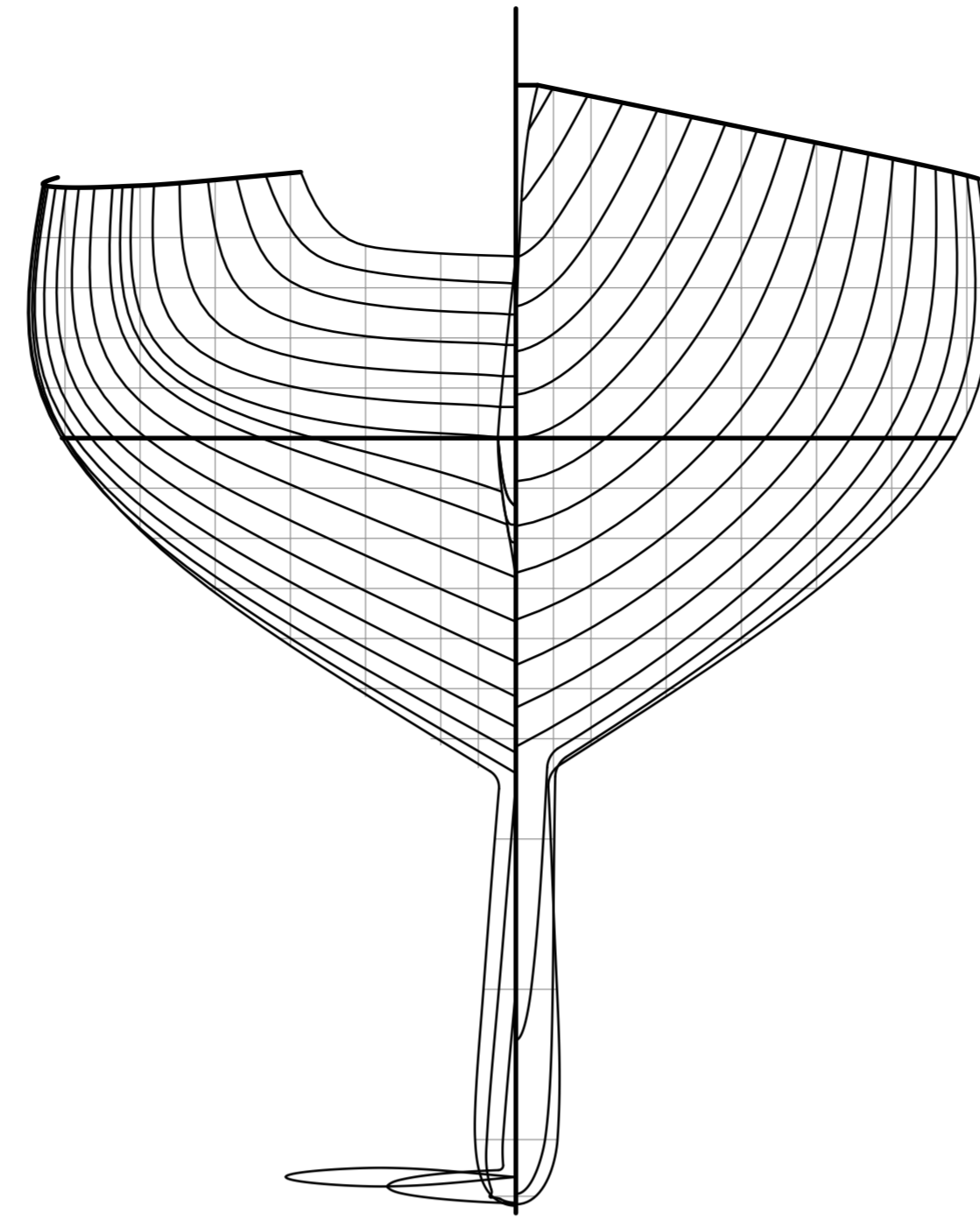
©2015 FLADLIEN & ASSOCIATES, LLC.  
 TERMS OF USE: <http://FladlienDesign.com/terms.html>

<b>ARRANGEMENT &amp; LAYOUT PLAN</b>	<b>CLASS Q SLOOP</b> FOR SPECULATION
	HULL 116F5 • DJF DWG No. 743 • CAP / DJF SCALE: FULL JUNE 19, 2015
 <b>FLADLIEN &amp; ASSOCIATES, LLC</b>	M ▲ F




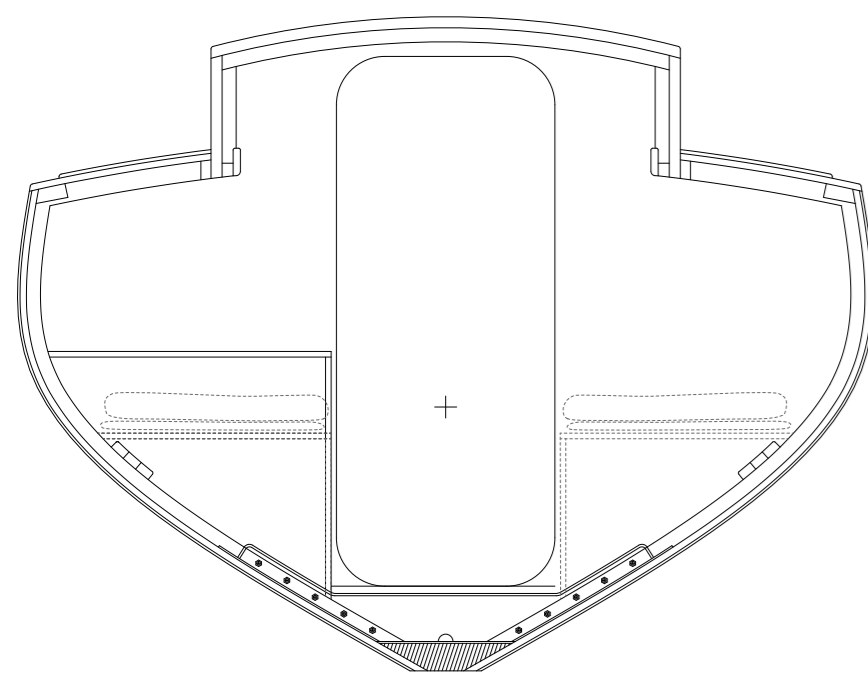




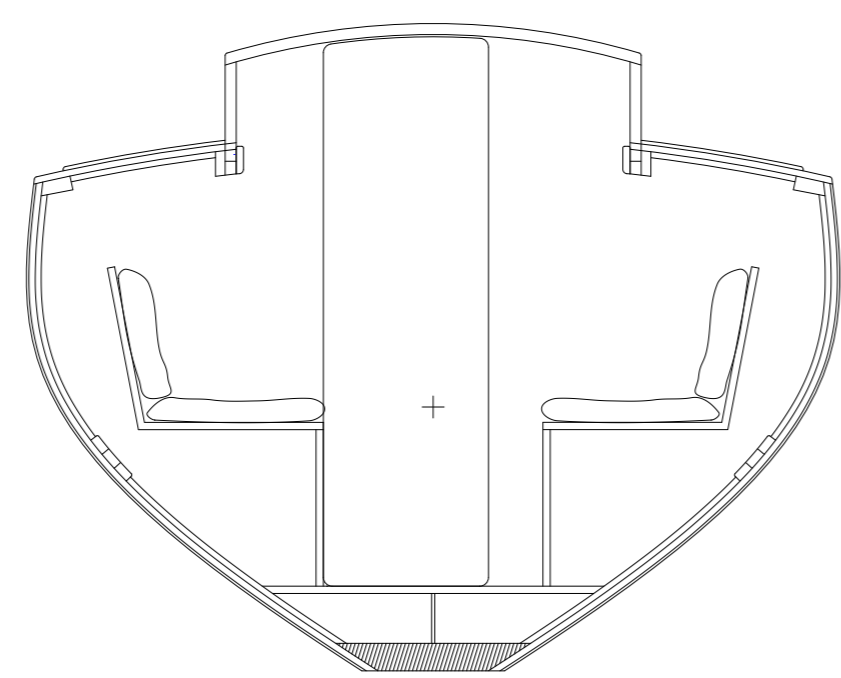


©2014 FLADLIEN & ASSOCIATES, LLC.  
TERMS OF USE: <http://FladlienDesign.com/terms.html>

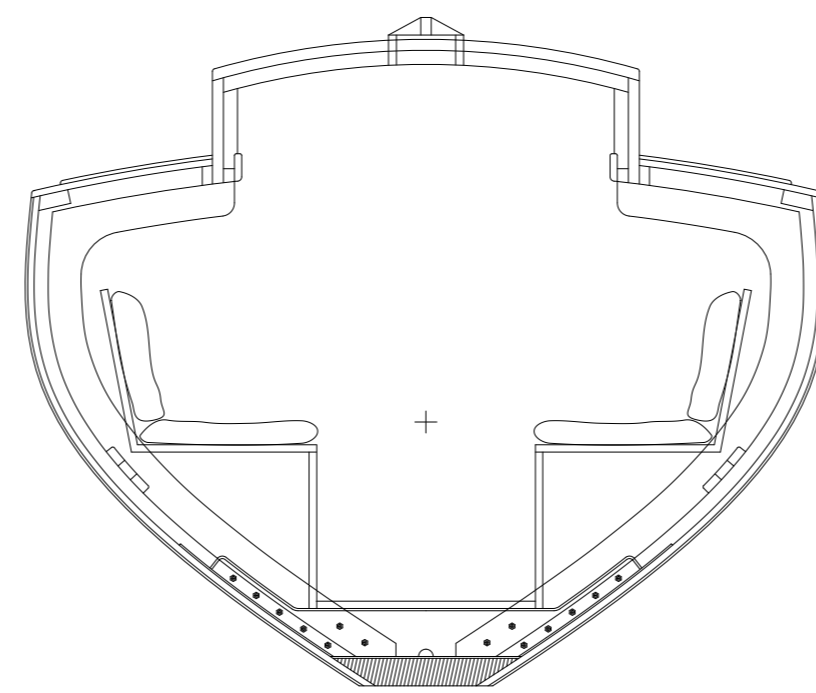
LINES PLAN	CLASS Q SLOOP FOR SPECULATION
	HULL 116F5 • DJF
	DWG No. 608 • CAP / DJF
	SCALE: FULL
	JULY 1, 2014
	M ▲ F



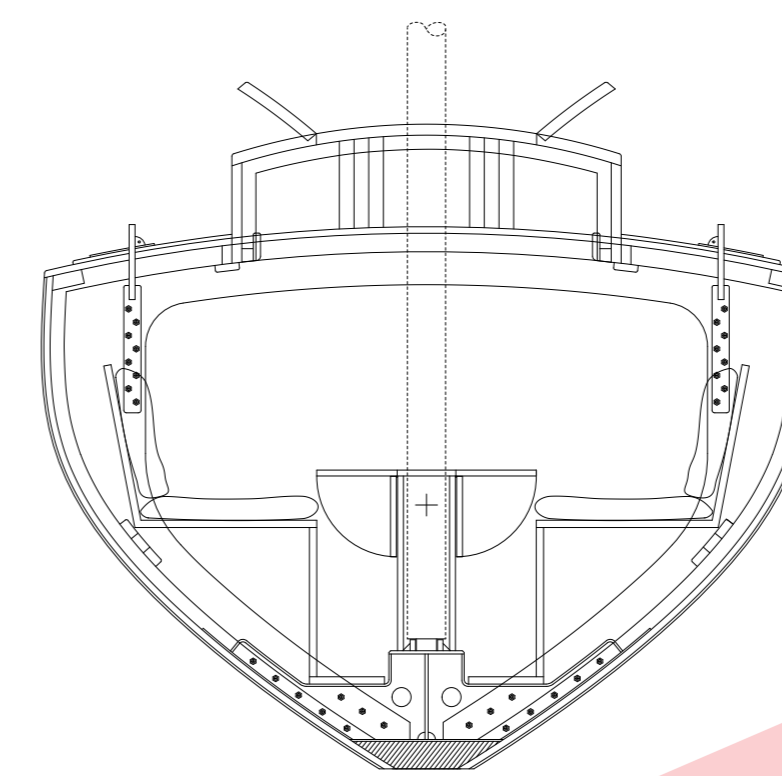
BULKHEAD AT  
FRAME 21



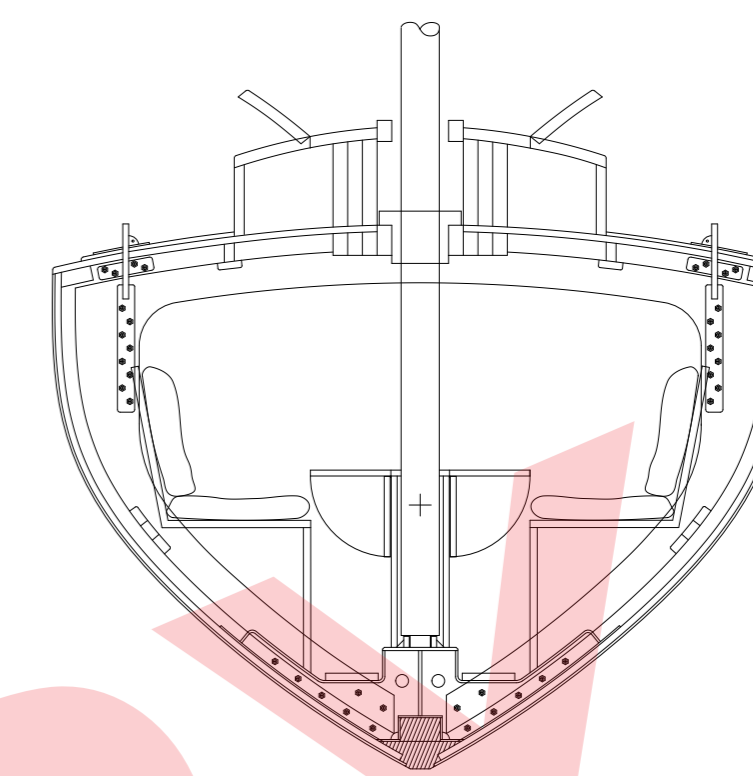
NON STRUCTURAL BULKHEAD AT  
24.98 FT AFT OF STEM HEAD



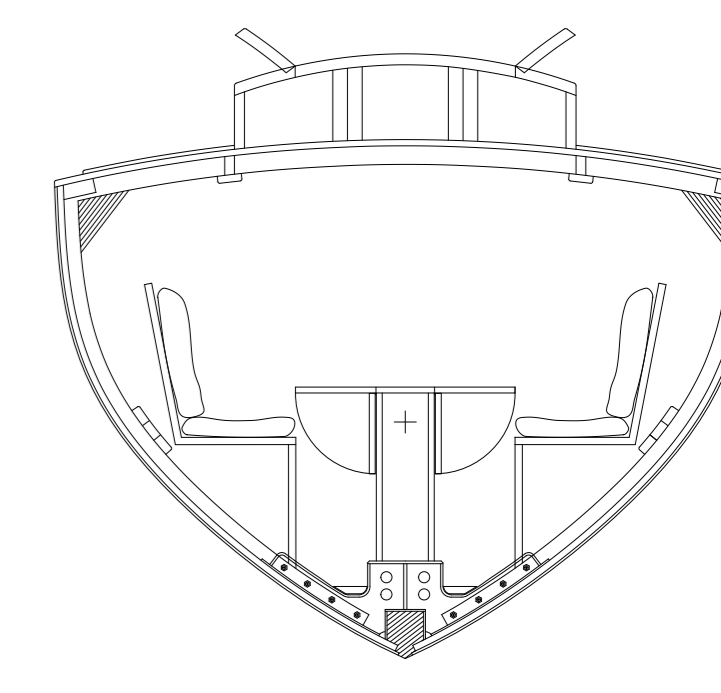
RING FRAME AT  
FRAME 17



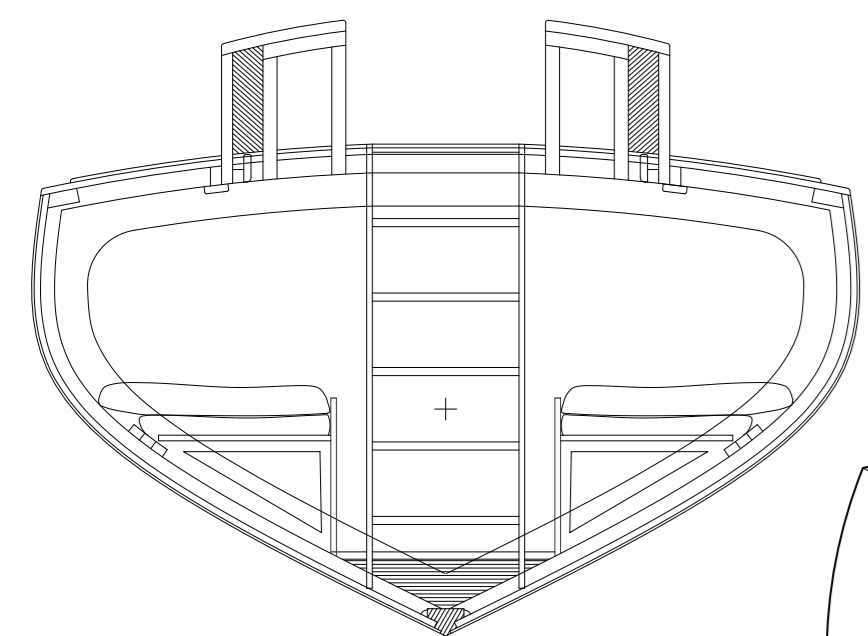
RING FRAME & CABIN FWD END BULKHEAD AT  
FRAME 16



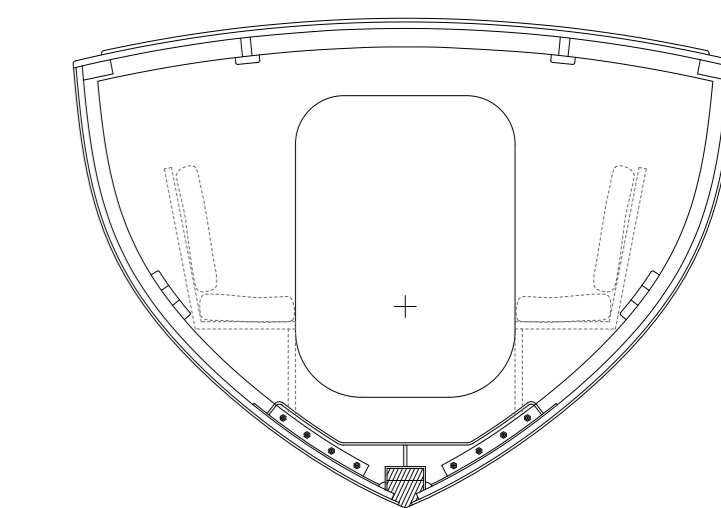
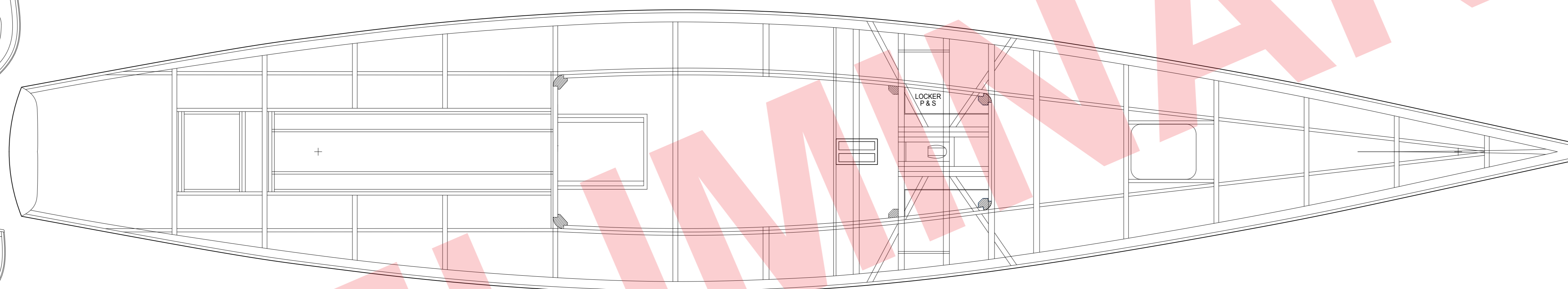
RING FRAME AT  
FRAME 15



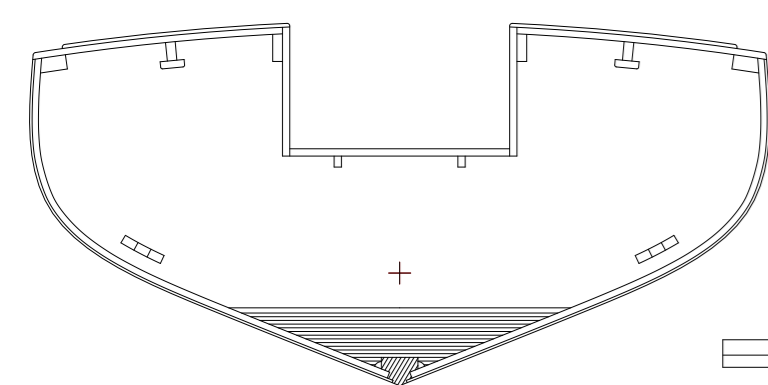
FRAME 14



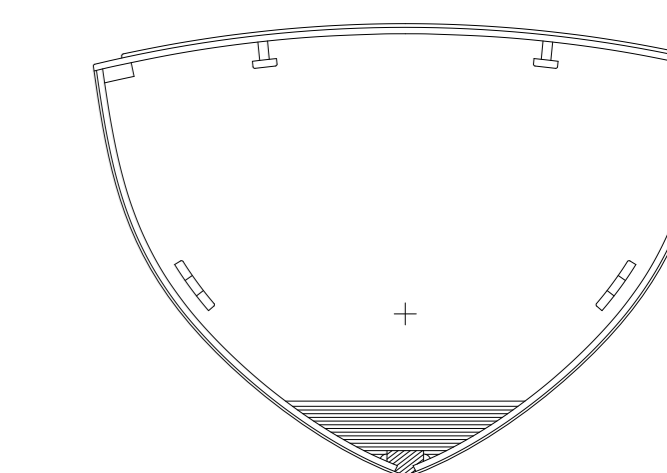
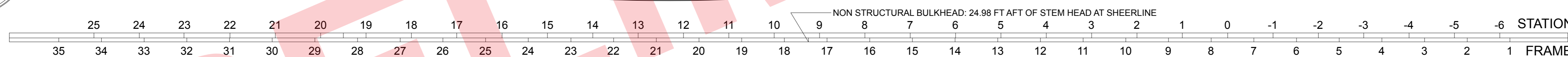
RING FRAME AT  
STATION 15



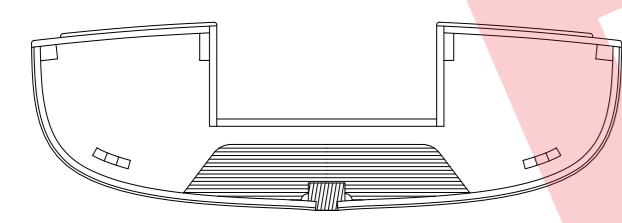
BULKHEAD AT  
FRAME 13



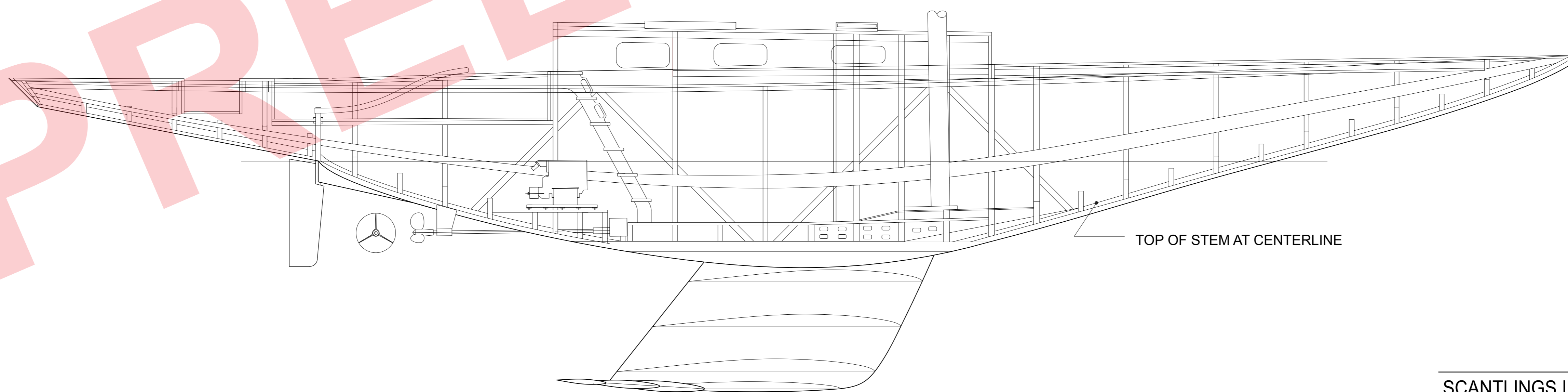
FRAME 27



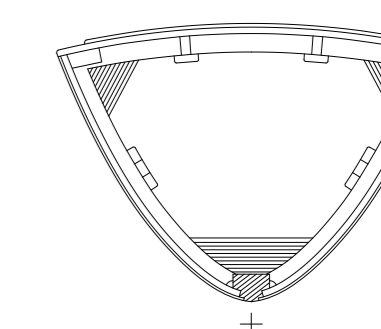
FRAME 12



FRAME 31



TOP OF STEM AT CENTERLINE



FRAME 7

©2015 FLADLIEN & ASSOCIATES, LLC.  
TERMS OF USE: <http://FladlienDesign.com/terms.html>

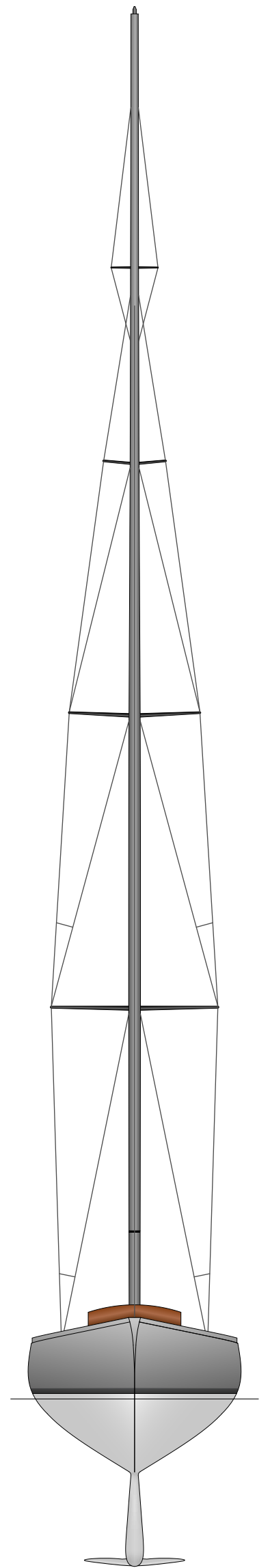
SCANTLINGS ILLUSTRATION  
STRIP PLANK & VENEER CONSTRUCTION



CLASS Q SLOOP  
FOR SPECULATION

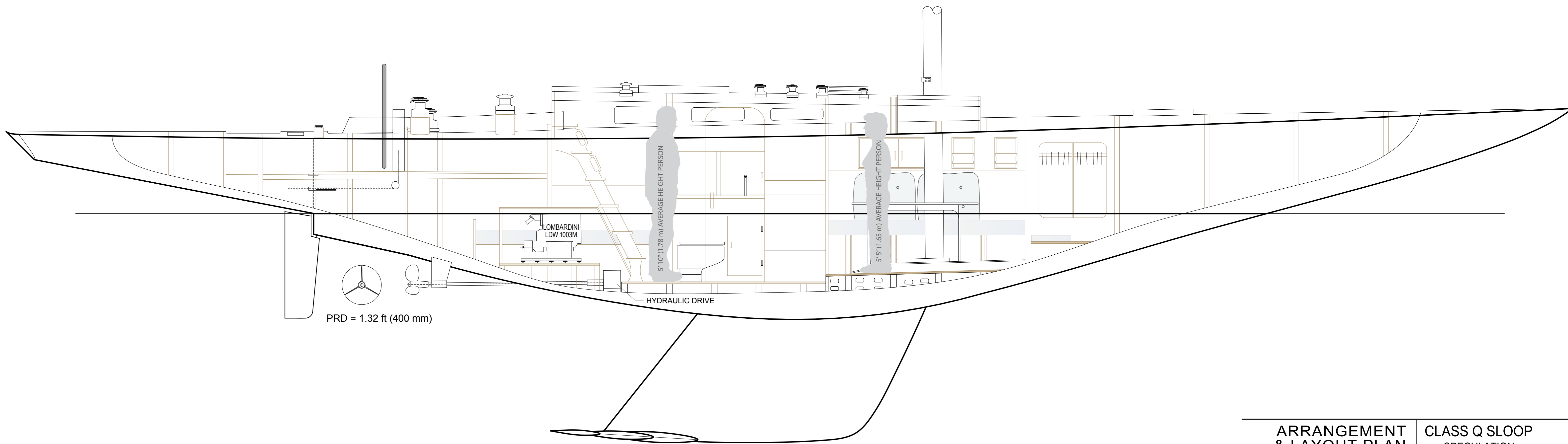
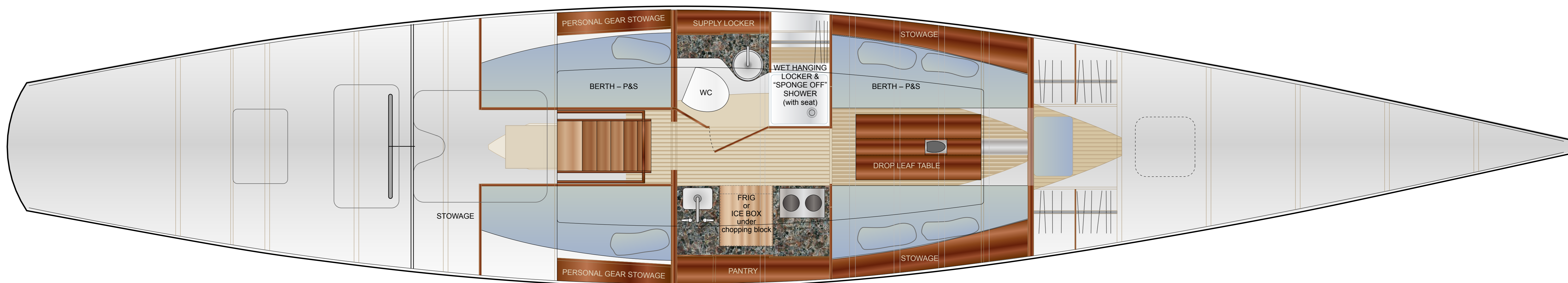
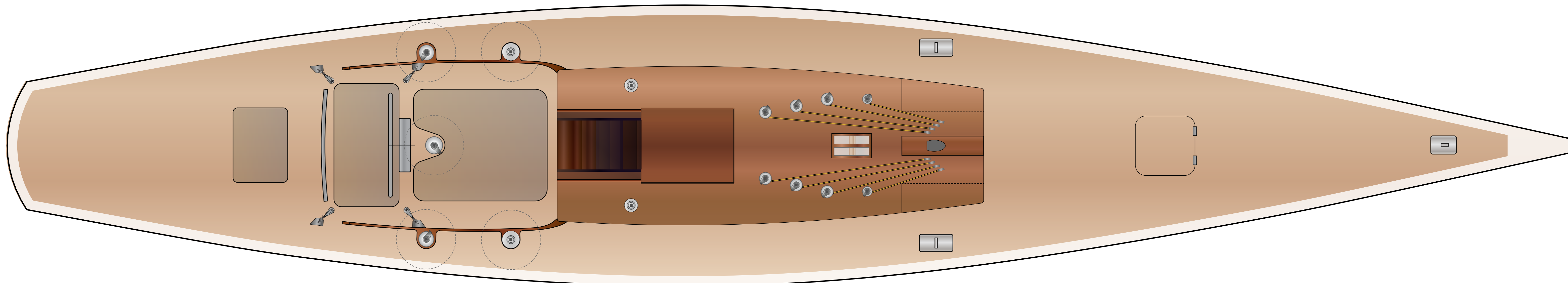
HULL 116F5a • DJF  
DWG No. 739 • DJF  
SCALE: FULL  
MAY 11, 2015

M ▲ F




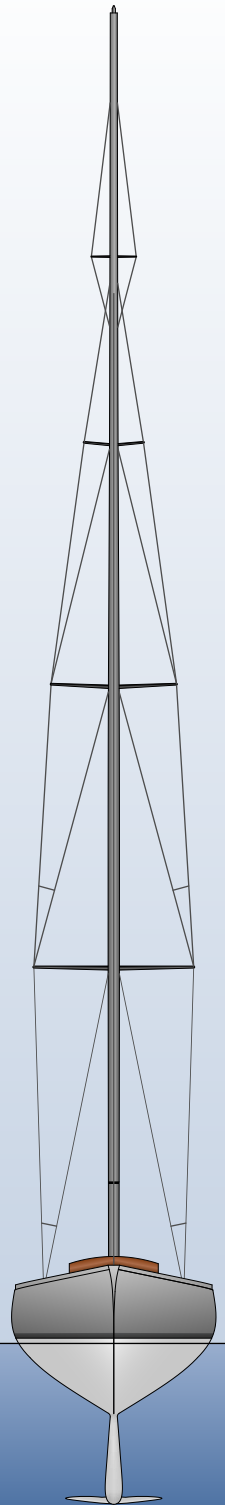


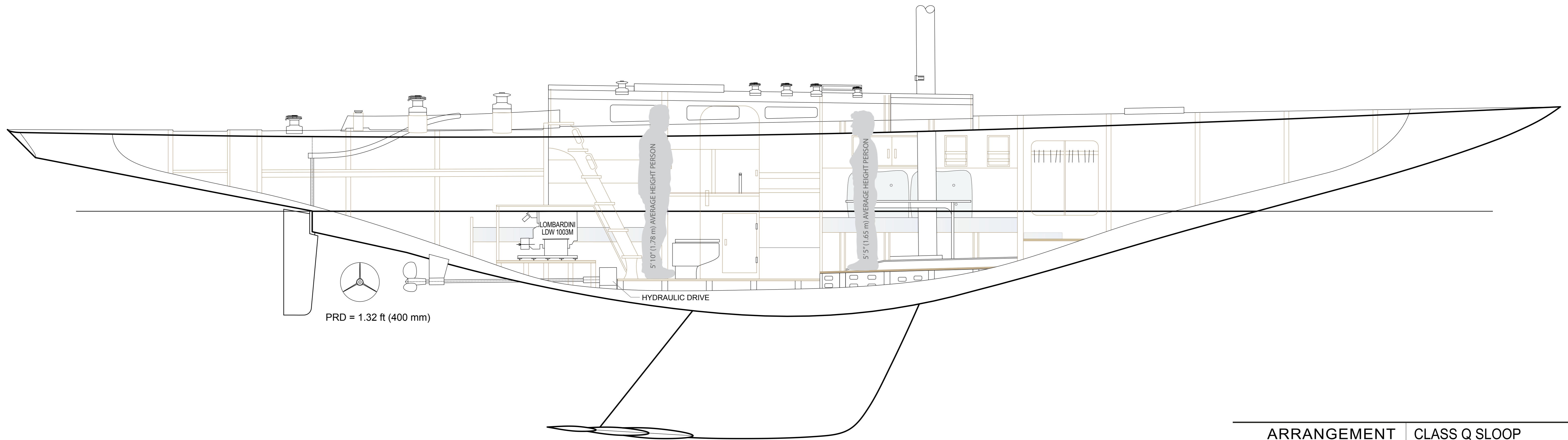
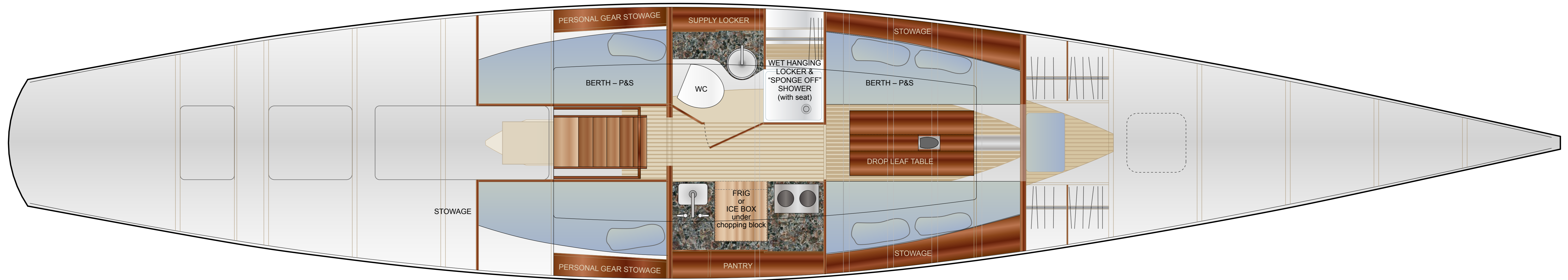
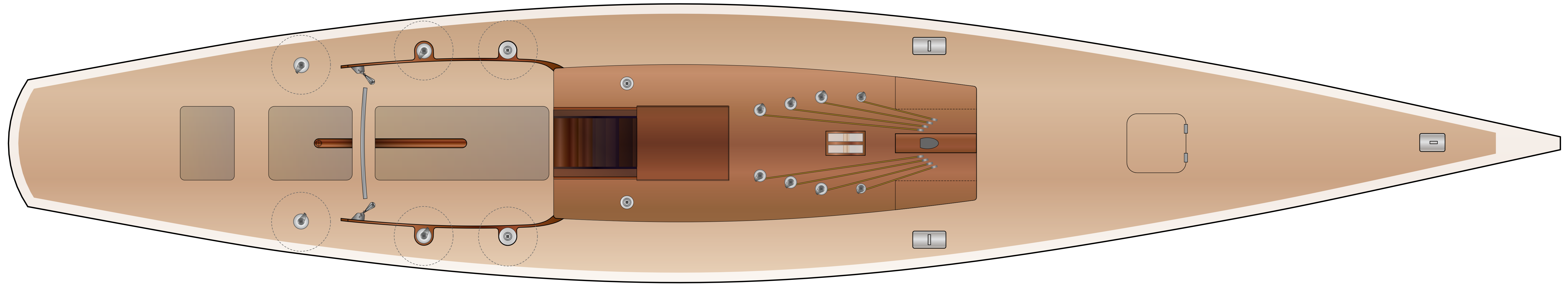





©2015 FLADLIEN & ASSOCIATES, LLC.  
 TERMS OF USE: <http://FladlienDesign.com/terms.html>

<b>ARRANGEMENT &amp; LAYOUT PLAN</b>  <b>FLADLIEN &amp; ASSOCIATES, LLC</b>	<b>CLASS Q SLOOP</b> FOR SPECULATION
	HULL 116F5 • DJF DWG No. 750 • CAP / DJF SCALE: FULL AUGUST 17, 2015





©2015 FLADLIEN & ASSOCIATES, LLC.  
 TERMS OF USE: <http://FladlienDesign.com/terms.html>

	ARRANGEMENT & LAYOUT PLAN	CLASS Q SLOOP FOR SPECULATION
		HULL 116F5 • DJF
		DWG No. 749 • CAP / DJF
		SCALE: FULL
		AUGUST 17, 2015 M ▲ F

